



The SOLR™ 3000 bailout bottle is the latest parachutist oxygen system designed by Airborne Systems. When used with a parachutist oxygen mask, it is suitable for the most extreme HAHO / HALO missions. The 122 cu.in. oxygen bottle has similar measurements than the current PHAOS 120 cu.in oxygen bottle but offers over 60% more oxygen capacity for increased flight duration under canopy. The 51 cubic inch oxygen bottle offers a compact size while still delivering plenty of oxygen for high altitude operations.

The manifold size has been reduced to lower the equipment footprint and weight on the jumpers, the new design can be stored full for extended periods without pressure loss. The double action rotating oxygen toggle switch eliminates unintentional oxygen flow shut off for increased safety. The manifold maintenance intervals have been significantly increased (inspection every 30 months, service every 60 months).

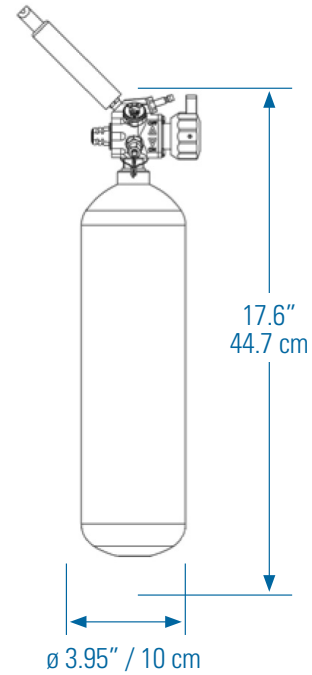
The SOLR™ 3000 bailout bottle is compatible with the legacy PHAOS mask as well as the POM mask.

### Key Features

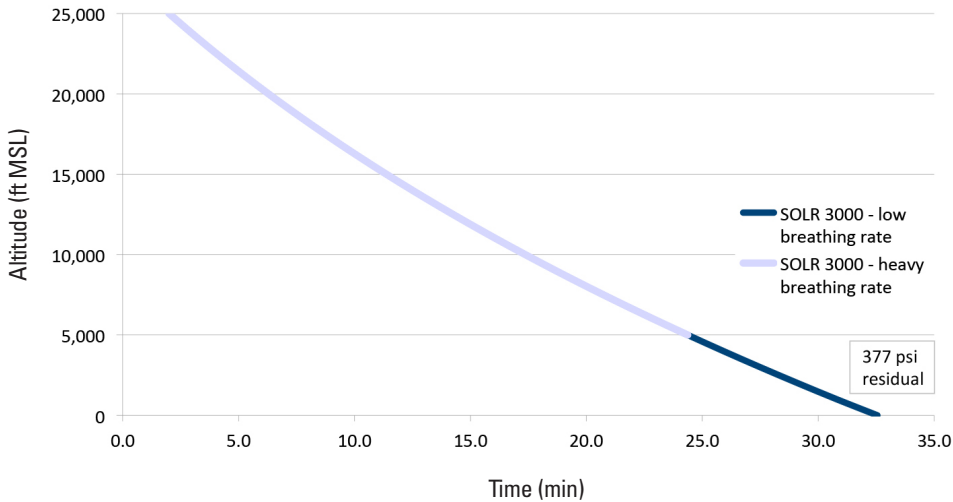
- Lightweight
- 3,000 psig fill pressure
- Over 60% more oxygen capacity than PHAOS 120 cu in bottle
- Brass pressure reducer, oxygen safe up to 4,500 psig (tested @ 5395 psig)
- Low profile oxygen gauge, easily visible
- Easy maintenance (30 months inspection cycles, 60 months service cycles)
- Console Interface includes automatic shutoff feature when connected to the console
- Compatible with legacy PHAOS and US Army POM masks

## Specifications

<b>Medium</b>	Oxygen	
<b>Cylinder Fill Pressure</b>	3,000 psig	207 bar
<b>Outlet Pressure</b>	40 to 50 psig	2.8 to 3.4 bar
<b>Weight (unfilled)</b>	5.6 lb	2.6 kg
<b>Expanded Gas Volume</b>	14.6 cu ft at 3,000 psig (414 liters at 207 bars)	
<b>Cylinder Water Volume</b>	122 cu in - 2 liters	
<b>Cylinder Type</b>	DOT, TC, TPED, KHK, Carbon fiber wrapped, aluminum lined composite	
<b>Operating Environment</b>		
Tested	Per MIL-STD-810G	
Temperature	-65° – 160°F	-54° – 71°C
Humidity	0 to 100%, non-condensing	
Altitude (ceiling)	35,000 ft	10,668 m
<b>Product Interfaces</b>		
Fill port	IAW AN800	
Outlet fitting	Quick Disconnect Socket (mates with 1/8 inch plug)	
<b>Charging System (Optional)</b>	SOLR™ Oxygen Booster Pump	



**Altitude vs Time: SOLR Oxygen Mask – 100% O<sub>2</sub>**  
**SOLR 3000 Bailout Bottle | RA-1**



Heavy breathing rate = 31.5 liters / min per  
 JSSG 2010-10  
 Low breathing rate = 18 liters / min

## AIRBORNE SYSTEMS NORTH AMERICA

sales@airborne-sys.com  
 airborne-sys.com

**NEW JERSEY**  
 5800 North Magnolia Avenue  
 Pennsauken, NJ 08109, USA  
 Tel: +1.856.382.2709  
 Fax: +1.856.663.3028

**CALIFORNIA**  
 3100 W. Segerstrom Avenue  
 Santa Ana, CA 92704, USA  
 Tel: +1.714.662.1400  
 Fax: +1.714.662.1586

**TRAINING FACILITY**  
 4760 North Lear Drive  
 Eloy, AZ 85131, USA  
 Tel: +1.856.571.4717