



The SOLR™ 4500 bailout bottle is the latest parachutist oxygen system designed by Airborne Systems. It is suitable for the most extreme HAHO / HALO missions when used with a parachutist oxygen mask. The 122 cu.in. oxygen bottle offers 50% more oxygen capacity than the SOLR™ 3000 for increased flight duration under canopy.

The reduced manifold size has been engineered for minimal size and maximum durability. For increased safety, the double action rotating oxygen toggle switch eliminates unintentional oxygen flow shut off.

The manifold maintenance intervals have been significantly increased (inspection every 30 months, service every 60 months).

The SOLR™ 4500 bailout bottle is compatible with legacy PHAOS and U.S. Army POM masks.

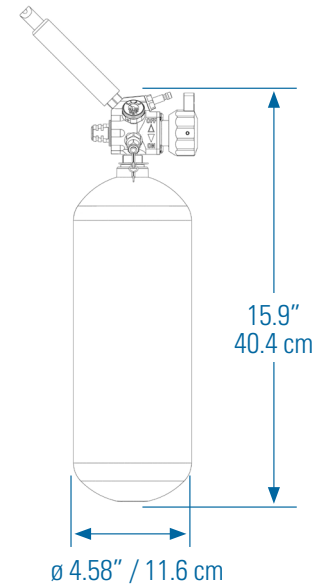
Key Features

- Lightweight
- 4,500 psig fill pressure
- 50% more oxygen capacity than SOLR™ 3000
- Brass pressure reducer, oxygen safe up to 4,500 psig (tested @ 5,395 psig)
- Low profile oxygen gauge, easily visible
- Easy maintenance (30 months inspection cycles, 60 months service cycles)
- Console Interface includes automatic shutoff feature when connected to the console
- Compatible with legacy PHAOS and U.S. Army POM masks

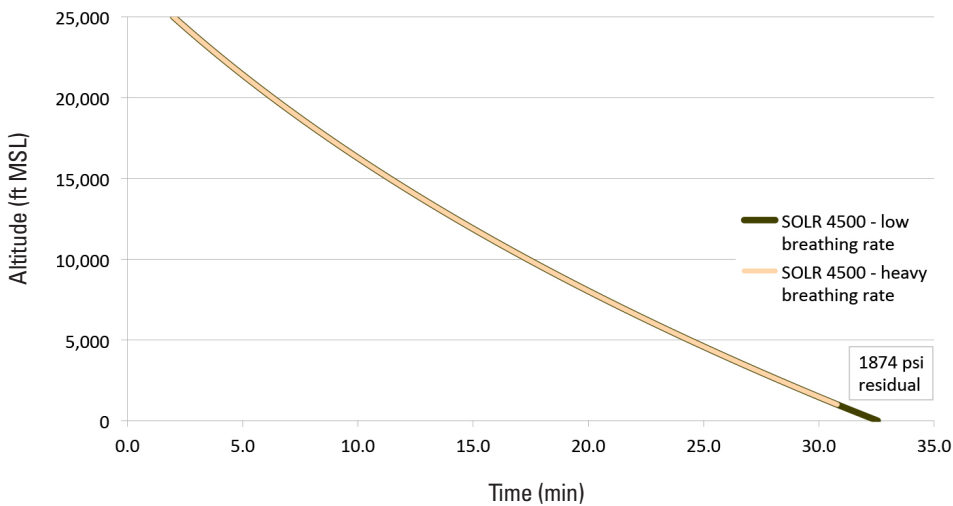


Specifications

Medium	Oxygen	
Cylinder fill pressure	4,500 psig	310 bar (DOT)
Outlet pressure	40 to 50 psig	2.8 to 3.4 bar
Weight (unfilled)	5.6 lb	2.6 kg
Expanded gas volume	21.9 cu ft at 4,500 psig (620 liters at 310 bar)	
Cylinder water volume	122 cu in - 2 liters	
Cylinder type	DOT (4,500 psig) Carbon fiber wrapped, aluminum lined composite	
Operating environment	Per MIL-STD-810G	
Tested	Per MIL-STD-810G	
Temperature	-65° – 160°F	-54° – 71°C
Humidity	0 to 100%, non-condensing	
Altitude (ceiling)	35,000 ft	10,668 m
Product interfaces		
Fill port	IAW AN800	
Outlet fitting	Quick Disconnect Socket (mates with 1/8 inch plug)	
Charging System (Optional)	4,500 psig SOLR™ Oxygen Booster Pump	



**Altitude vs Time: SOLR Oxygen Mask – 100% O₂
SOLR 4500 Bailout Bottle | RA-1**



AIRBORNE SYSTEMS NORTH AMERICA

sales@airborne-sys.com
airborne-sys.com

NEW JERSEY
5800 North Magnolia Avenue
Pennsauken, NJ 08109, USA
Tel: +1.856.382.2709
Fax: +1.856.663.3028

CALIFORNIA
3100 W. Segerstrom Avenue
Santa Ana, CA 92704, USA
Tel: +1.714.662.1400
Fax: +1.714.662.1586

TRAINING FACILITY
4760 North Lear Drive
Eloy, AZ 85131, USA
Tel: +1.856.571.4717