



The SOLR® 4500 bailout bottle is the latest parachutist oxygen system designed by Airborne Systems. It is suitable for the most extreme HAHO / HALO missions when used with a parachutist oxygen mask.

The 122 cu.in. oxygen bottle offers 50% more oxygen capacity than the SOLR®™ 3000 for increased flight duration under canopy.

The reduced manifold size has been engineered for minimal size and maximum durability. For increased safety, the double action rotating oxygen toggle switch eliminates unintentional oxygen flow shut off.

The manifold maintenance intervals have been significantly increased (inspection every 30 months, service every 60 months).

The SOLR® 4500 bailout bottle is compatible with legacy PHAOS and U.S. Army POM masks.

### Key Features

- Lightweight
- 4,500 psig fill pressure
- 50% more oxygen capacity than SOLR® 3000
- Brass pressure reducer, oxygen safe up to 4,500 psig (tested @ 5,395 psig)
- Low profile oxygen gauge, easily visible
- Easy maintenance (30 months inspection cycles, 60 months service cycles)
- Console Interface includes automatic shutoff feature when connected to the console
- Compatible with legacy PHAOS and U.S. Army POM masks



## Specifications

<b>Medium</b>	Oxygen	
<b>Cylinder fill pressure</b>	4,500 psig	310 bar (DOT)
<b>Outlet pressure</b>	40 to 50 psig	2.8 to 3.4 bar
<b>Weight (unfilled)</b>	6.3 lb	2.9 kg
<b>Expanded gas volume</b>	21.9 cu ft at 4,500 psig (620 liters at 310 bar)	
<b>Cylinder water volume</b>	122 cu in - 2 liters	
<b>Cylinder type</b>	DOT (4,500 psig) Carbon fiber wrapped, aluminum lined composite	

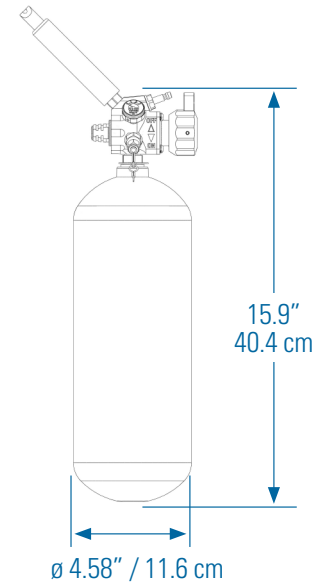
### Operating environment

Tested	Per MIL-STD-810G	
Temperature	-65° – 160°F	-54° – 71°C
Humidity	0 to 100%, non-condensing	
Altitude (ceiling)	35,000 ft	10,668 m

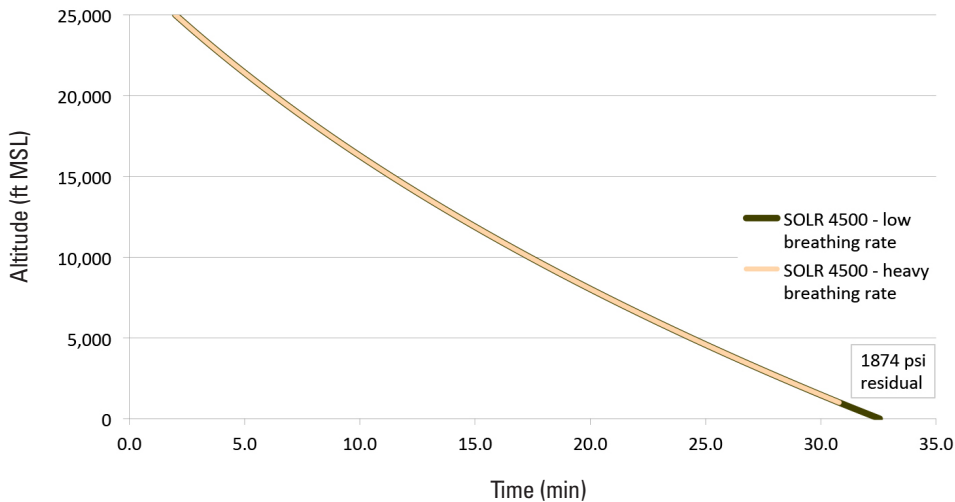
### Product interfaces

Fill port	IAW AN800
Outlet fitting	Quick Disconnect Socket (mates with 1/8 inch plug)

**Charging System (Optional)** 4,500 psig SOLR® Oxygen Booster Pump



**Altitude vs Time: SOLR® Oxygen Mask – 100% O<sub>2</sub>  
SOLR® 4500 Bailout Bottle | RA-1**



## AIRBORNE SYSTEMS NORTH AMERICA

sales@airborne-sys.com  
airborne-sys.com

**NEW JERSEY**  
5800 North Magnolia Avenue  
Pennsauken, NJ 08109, USA  
Tel: +1.856.663.1275  
Fax: +1.856.663.3028

**CALIFORNIA**  
3100 W. Segerstrom Avenue  
Santa Ana, CA 92704, USA  
Tel: +1.714.662.1400  
Fax: +1.714.662.1586

**TRAINING FACILITY**  
4760 North Lear Drive  
Eloy, AZ 85131, USA  
Tel: +1.856.571.4717